

MANUFACTURED IN
NORTH AMERICA

SHAFT MOUNTED FORKS



These shaft-mounted forks to suit all pin-type carriages for telehandlers and rough-terrain forklifts, including models from: JLG, Cat, Skytrack, JCB, Genie/Terex, SkyJack, Pettibone, Xtreme Will, Gehl, Gradall, Rand, Ingersoll, and Will.

- ➔ Designed to precisely fit each individual machine
- ➔ Forged from heat-treated premium carbon-steel
- ➔ Greater strength and resistance to bending
- ➔ Fork life is rated to at least 1 million lift cycles
- ➔ Including general purpose and block forks

6 REASONS STAR FORKS ARE BETTER

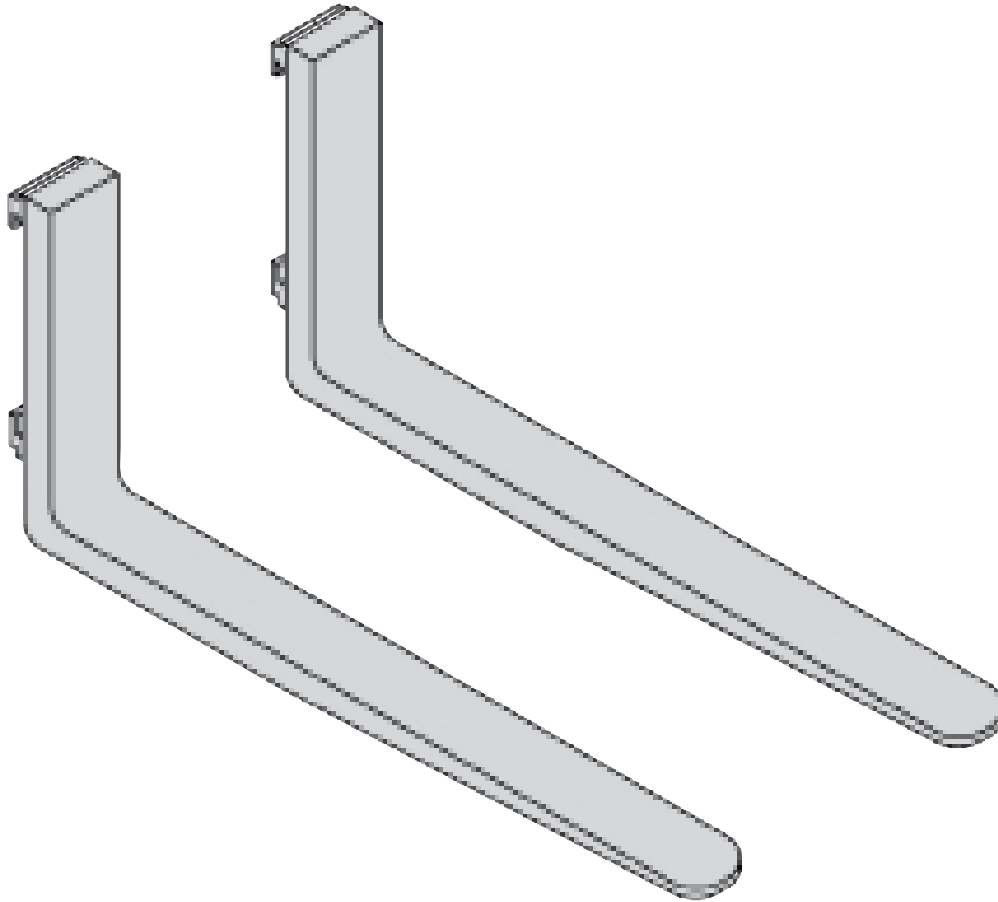
- 1 **Local manufacturing.**
All forks are manufactured in North America and only from high-grade certified materials.
- 2 **No shortcuts.**
All forks are forged from a single piece of steel, then fully heat-treated, quenched and tempered for a minimum yield strength of 825 Mpa.
- 3 **Certified production methods.**
Welding processes are certified in accordance with ISO 3834-2.
- 4 **Rigorous testing.**
Fork heels and welds are subjected to full MPI crack-testing on all welds and the heel area by certificated operatives.
- 5 **Full part traceability.**
Each fork is stamped with manufacturer's identification, specified capacity and load centre, week of manufacture and production works order number.
- 6 **Standards-compliance.**
All forks are guaranteed to meet or exceed the requirements of the national and (such as ISO2328 and ISO2330 and ANSI ITSDF B56.11.4) with regards to mounting details, load-, fatigue- and impact-tests.



4101 Garland Drive Fort Worth TX 76117
Phone | 817-485-6073 Fax | 817-428-6008
USA & Canada Toll Free 800-541-1797

www.starindustries.com
Operating Manual and Safety Information available online.

PRODUCT OPTIONS



REPLACEMENT FORK BARS

Model	Finished shaft size (dia.)	Carriage width (out to out)	Overall shaft length (out to out)	Weight
FP20048	2.0"	48"	51.5"	48 lbs.
FP20060	2.0"	60"	63.5"	59 lbs.
FP20072	2.0"	72"	75.5"	69 lbs.
FP22548	2.25"	48"	51.5"	60 lbs.
FP22560	2.25"	60"	63.5"	74 lbs.
FP22572	2.25"	72"	75.5"	87 lbs.

Exact measurements needed



4101 Garland Drive Fort Worth TX 76117
Phone | 817-485-6073 Fax | 817-428-6008
USA & Canada Toll Free 800-541-1797

www.starindustries.com

Operating Manual and Safety
Information available online.